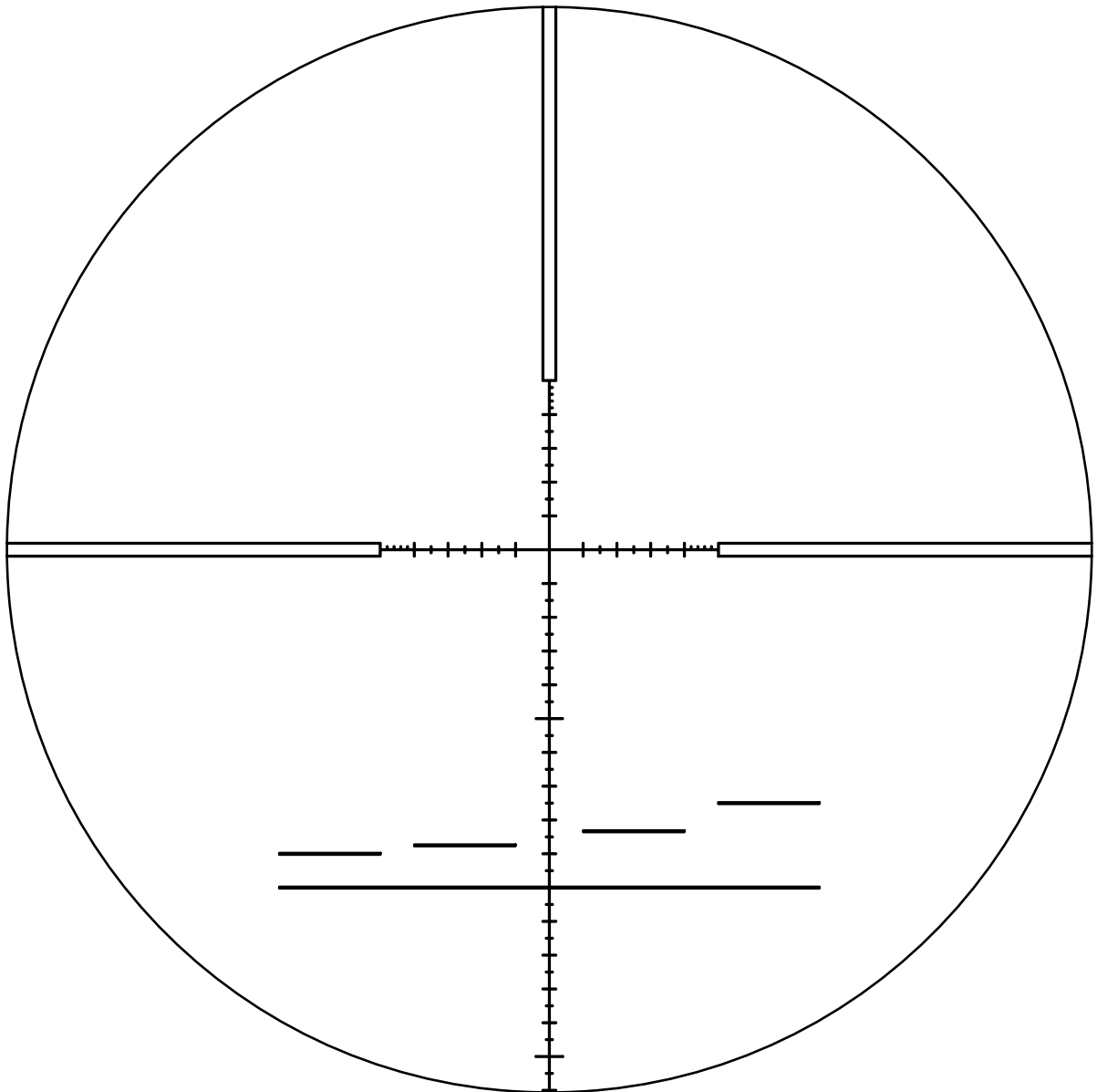


scope	12 - 50 x 56 PMII	scope type	78	focal plane	FFP
model	Schmidt-Bender-Datasheet-P4F-FFP-12-50x56 PMII				

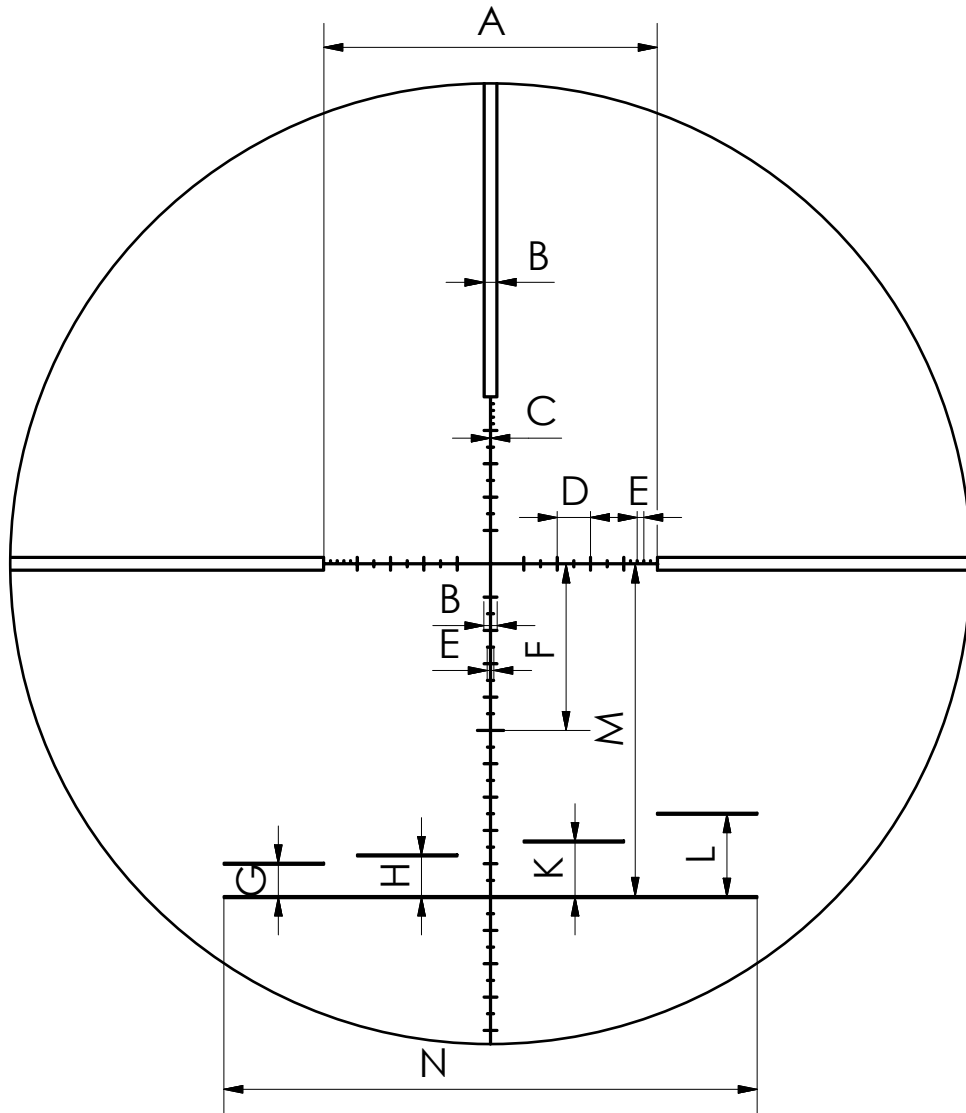
All rights reserved by Schmidt & Bender GmbH & Co. KG. No reproduction, distribution or unauthorized use of this document or any information contained herein may be made without the expressed written permission of Schmidt & Bender GmbH & Co. KG or its assignees.

P4F



scope	12 - 50 x 56 PMII	scope type	78	focal plane	FFP
model	Schmidt-Bender-Datasheet-P4F-FFP-12-50x56 PMII				

All rights reserved by Schmidt & Bender GmbH & Co. KG. No reproduction, distribution or unauthorized use of this document or any information contained herein may be made without the expressed written permission of Schmidt & Bender GmbH & Co. KG or its assignees.



coverages

unit	A	B	C	D	E	F	M	N
cm/100m	100	4	0.18	10	2	50	100	160
in/100yd	36	1.44	0.06	3.6	0.72	18	36	57.6
mrad	10	0.4	0.02	1	0.2	5	10	16

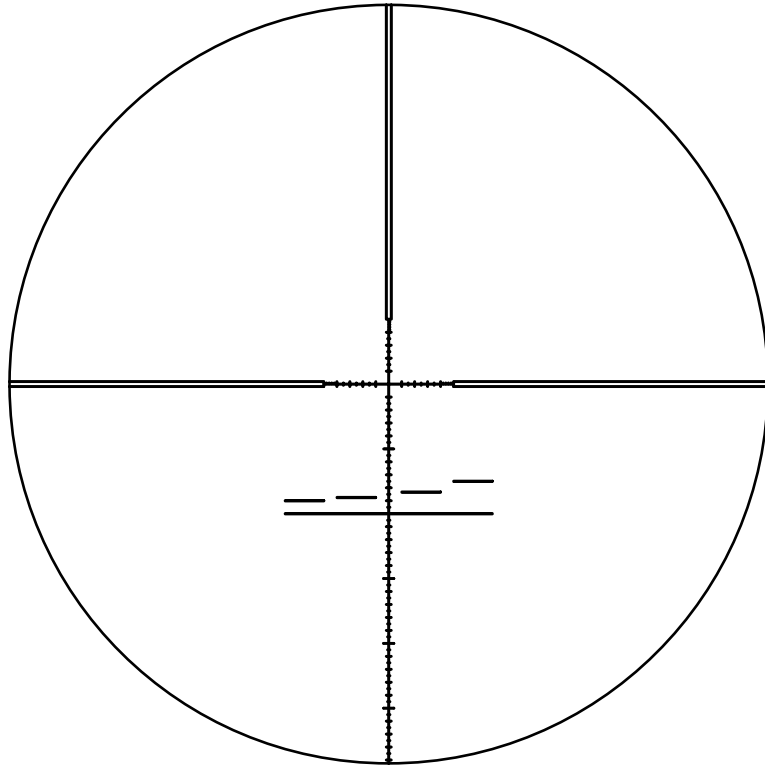
coverages

unit	G	H	K	L
cm/200m				50
cm/300m			50	
cm/400m		50		
cm/500m	50			

scope	12 - 50 x 56 PMII	scope type	78	focal plane	FFP
model	Schmidt-Bender-Datasheet-P4F-FFP-12-50x56 PMII				

All rights reserved by Schmidt & Bender GmbH & Co. KG. No reproduction, distribution or unauthorized use of this document or any information contained herein may be made without the expressed written permission of Schmidt & Bender GmbH & Co. KG or its assignees.

field of view at lowest magnification



field of view at highest magnification

