

SCHMIDT & BENDER
GmbH & Co. KG
Am Grossacker 42
D-35444 Biebertal - Germany
tel. +49(0)6409/ 8115-0
fax. +49(0)6409/ 8115-11

reticle - data sheet
P5FL

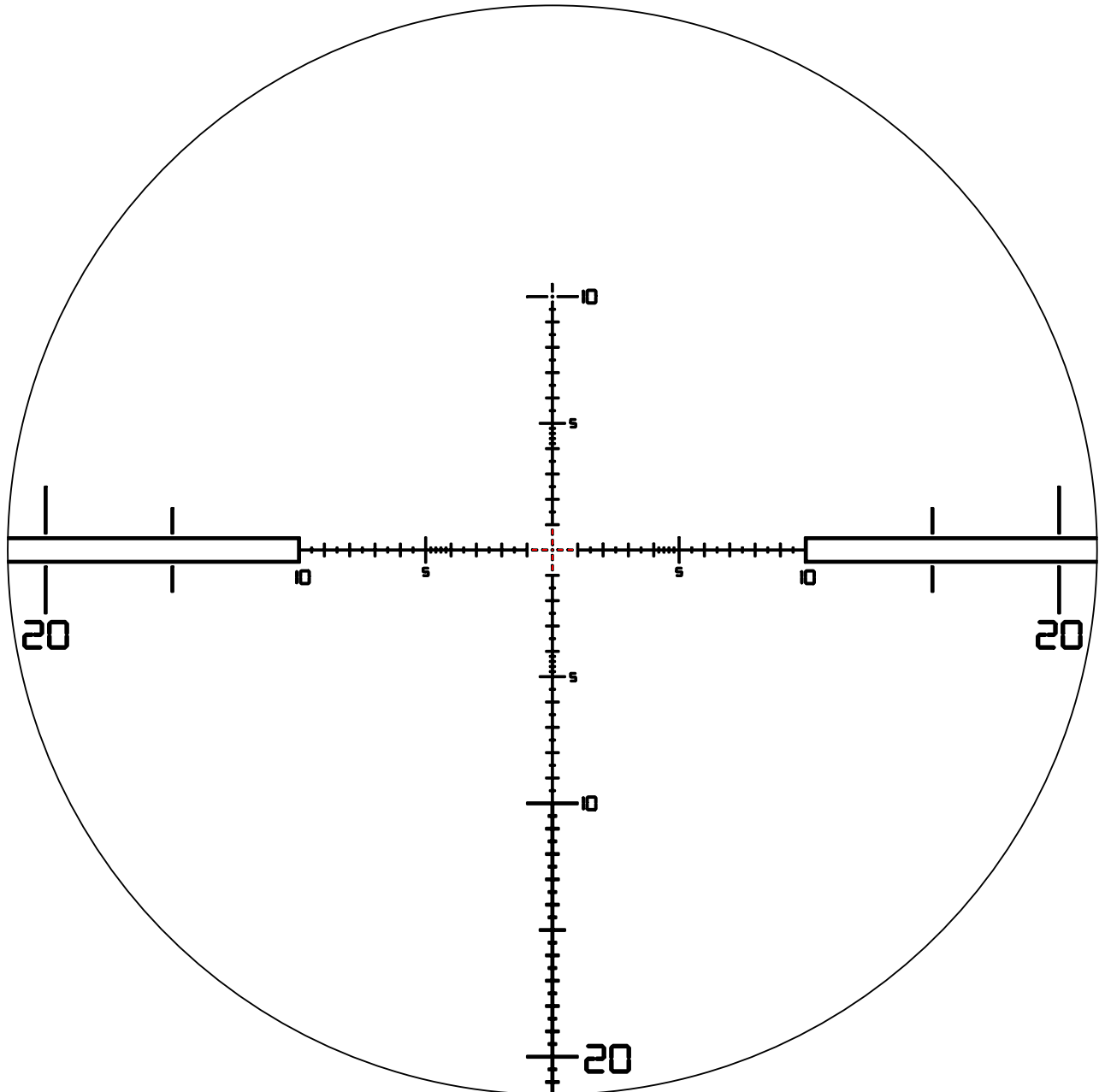
page 1 of 3

revision 01

scope	5-25x56 PM II	scope type	89	focal plane	FFP
model	Schmidt-Bender-Datasheet-P5FL-FFP-5-25x56-PMII				

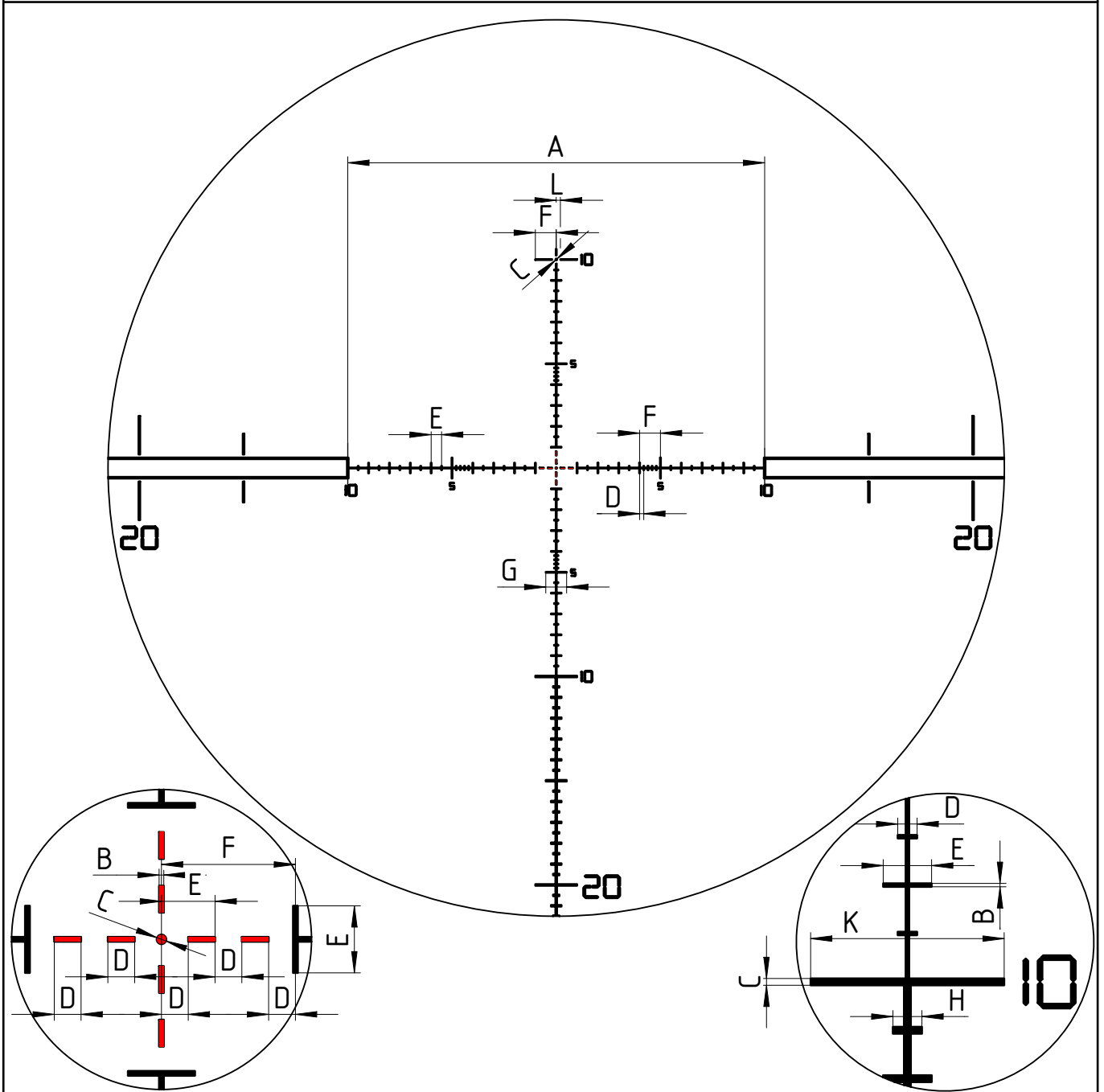
All rights reserved by Schmidt & Bender GmbH & Co. KG. No reproduction, distribution or unauthorized use of this document or any information contained herein may be made without the expressed written permission of Schmidt & Bender GmbH & Co. KG or its assignees.

P5FL



scope	5-25x56 PM II	scope type	89	focal plane	FFP
model	Schmidt-Bender-Datasheet-P5FL-FFP-5-25x56-PMII				

All rights reserved by Schmidt & Bender GmbH & Co. KG. No reproduction, distribution or unauthorized use of this document or any information contained herein may be made without the expressed written permission of Schmidt & Bender GmbH & Co. KG or its assignees.



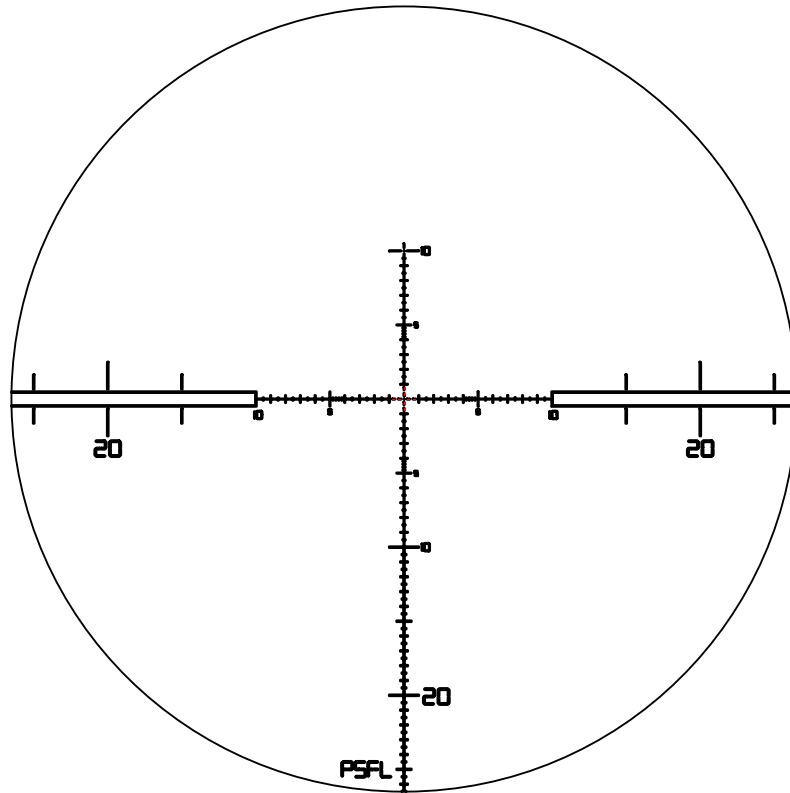
coverages

unit	A	B	C	D	E	F	G	K	L
cm/100m	200	0.35	0.7	2	5	10	12	20	1
in/100yd	72	0.13	0.25	0.73	1.8	3.6	4.32	7.2	0.36
mrاد	20	0.04	0.07	0.2	0.5	1	1.2	2	0.1
MOA	68.75	0.12	0.24	0.7	1.72	3.44	4.13	6.88	0.34

scope	5-25x56 PM II	scope type	89	focal plane	FFP
model	Schmidt-Bender-Datasheet-P5FL-FFP-5-25x56-PMII				

All rights reserved by Schmidt & Bender GmbH & Co. KG. No reproduction, distribution or unauthorized use of this document or any information contained herein may be made without the expressed written permission of Schmidt & Bender GmbH & Co. KG or its assignees.

field of view at lowest magnification



field of view at highest magnification

