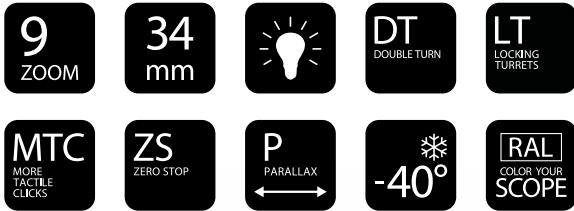


SCHMIDT BENDER

5-45x56 PM II High Power

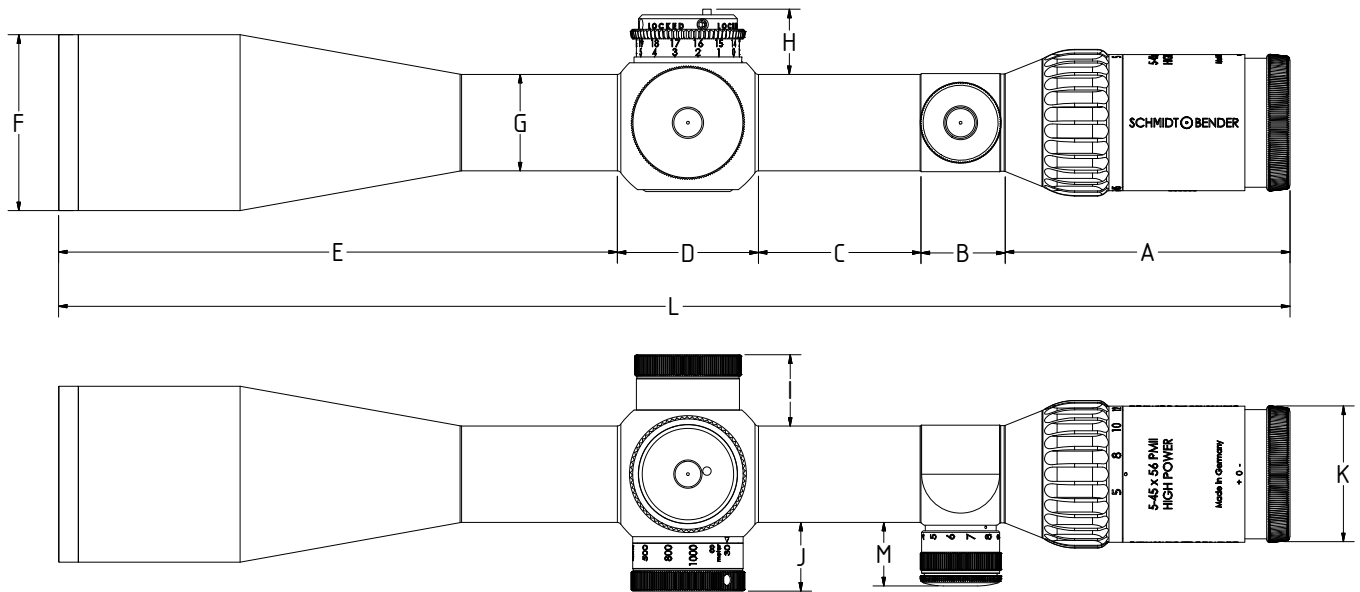


NEW



- The new PM II High Power telescopic sight has 9-fold zoom and upper magnification of 45 — the perfect telescopic sight for the ultra long-range marksman
- The ultra flat elevation turret allows use of a backpacked red dot sight for close distances
- Maximum optical brilliance for perfect target recognition at longest distances

1. Dimensions & physical properties



	A	B	C	D	E	F	G	H	I	J	K	L	M
mm	100,42	29,66	57,34	49,75	197,09	62	34	23	23,93	23,93	47,20	434	22,38
inch	3,954	1,168	2,258	1,959	7,759	2,441	1,339	0,906	0,942	0,942	1,858	17,09	0,881

Weight: 39.01 oz

Length: 17.09"

Main tube diameter: 34 mm

2. Optical Data[⚠]

Magnification: 5.0 - 45.0

Objective diameter: 56 mm

Field of view: 23.40 ft - 2.58 ft / 100 yd

Exit pupil: 0.35" - 0.05"

Eye relief: 3.54"

Twilight factor: 16.7 - 50.2

Transmission: 90 %

Focal plane: 1st

3. Adjustments[⚠]

Diopter: -2 dpt. to +3 dpt.

Adjustment range elevation turret: 270 cm / 66 MOA

Adjustment range windage turret: ± 60 cm / ± 15 MOA

Parallax: 32.81 yd - ∞

4. Environmental properties^{*}

Waterproof:	9.84 ft / 82.02 ft on request
Temperature range:	
Storage:	-67° F to +158° F
Function:	-40° F to +140° F

5. Available configurations^{*}

a.) Turrets:

Elevation:	Double turn with MTC and locking function
Windage:	Single turn with zero stop and protective cap

Turret configurations

Elevation	Windage
1 cm cw	1 cm cw
1 cm ccw	1 cm ccw
¼ MOA cw	¼ MOA cw
¼ MOA ccw	¼ MOA ccw

b.) Colors:

- Black
- Pantone 7504M
- RAL 8000

c.) Illumination

- Illuminated

d.) Reticles

- Tremor2 • H2CMR • P4LF
- Other reticles available on request!

More configurations on request!

SCHMIDT BENDER

Schmidt & Bender GmbH & Co. KG

Am Grossacker 42 | D - 35444 Biebertal, Germany
Phone: +49 (0) 6409 - 8115 - 0 | Fax: +49 (0) 6409 - 8115 - 11
info@schmidt-bender.de | www.schmidt-bender.de