

SCHMIDT BENDER

4-16x56 PM II Ultra Bright

96%
Transmission

-40°


4
ZOOM

34
mm



P
PARALLAX


DT
DOUBLE TURN

LT
LOCKING
TURRETS

MTC
MORE
TACTILE
CLICKS

ZS
ZERO STOP

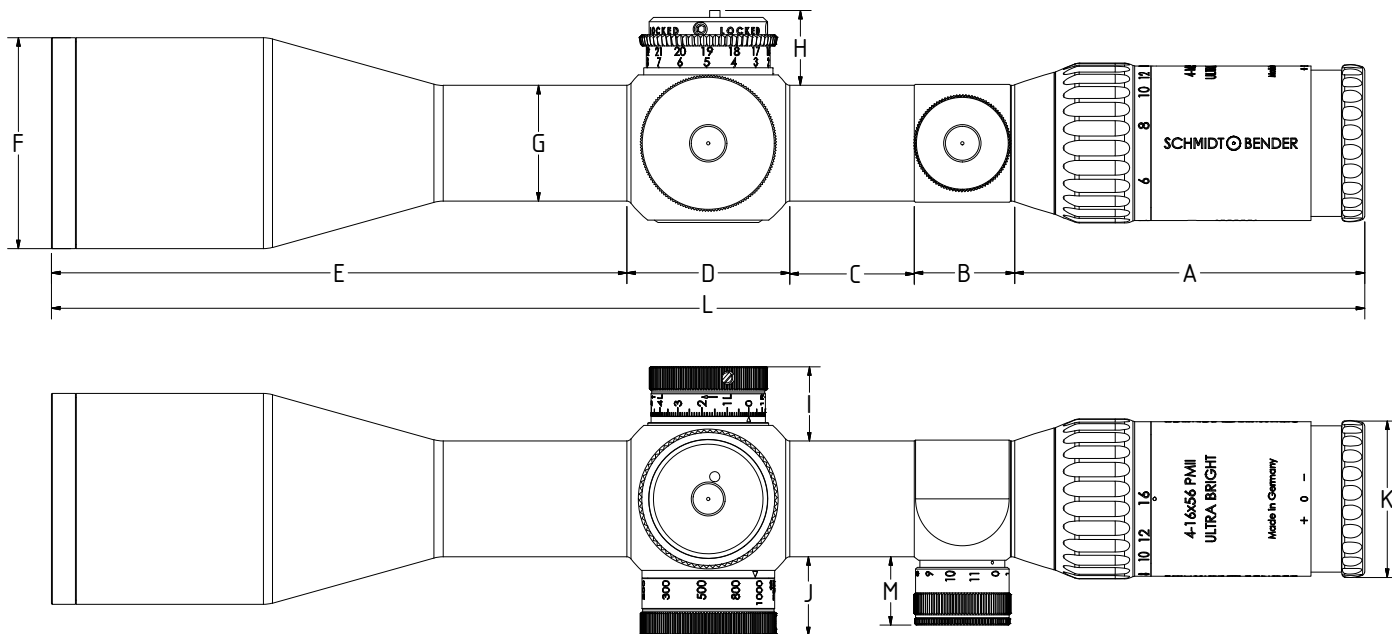
RAL
COLOR YOUR
SCOPE

NEW



- With more than 96% transmission, target identification succeeds even in bad light conditions
- The ultra-flat double turn turret allows use of a backpacked red dot sight
- 270 cm adjustment range in the turret, maximum 16-fold magnification and a precise parallax adjustment allow use over very long distances

1. Dimensions & physical properties



	A	B	C	D	E	F	G	H	I	J	K	L	M
mm	102,86	29,51	36,6	47,87	169,07	62	34	22	21,83	23,20	46	385,8	20,10
inch	4,05	1,16	1,44	1,89	6,66	2,441	1,34	0,87	0,86	0,91	1,81	15,19	0,79

Weight: 33.79 oz
 Length: 15.20"
 Main tube diameter: 34 mm

2. Optical Data^{**}

Magnification: 4.0 - 16.0
 Objective diameter: 56 mm
 Field of view: 28.20 ft - 6.90 ft / 100 yd
 Exit pupil: 0.47" - 0.14"
 Eye relief: 3.54"
 Twilight factor: 15.0 - 29.9
 Transmission: 96 %
 Focal plane: 1st

3. Adjustments^{**}

Diopter: -2 dpt. to +3 dpt.
 Adjustment range elevation turret: 270 cm / 66 MOA
 Adjustment range windage turret: ± 60 cm / ± 15 MOA
 Parallax: 32.81 yd - ∞

4. Environmental properties[✳]

Waterproof:	9.84 ft / 82.02 ft on request
Temperature range:	
Storage:	-67° F to +158° F
Function:	-40° F to +140° F

5. Available configurations[✳]

a.) Turrets:

Elevation: Double turn with MTC and locking function

Windage: Single turn with zero stop and protective cap

Turret configurations

Elevation	Windage
1 cm cw	1 cm cw
1 cm ccw	1 cm ccw
¼ MOA cw	¼ MOA cw
¼ MOA ccw	¼ MOA ccw

b.) Colors:

- Black
- Pantone 7504M
- RAL 8000

c.) Illumination

- Illuminated

d.) Reticles

- Tremor3 • P3L • P4LF
- Other reticles available on request!

More configurations on request!

SCHMIDT BENDER

Schmidt & Bender GmbH & Co. KG

Am Grossacker 42 | D - 35444 Biebertal, Germany
Phone: +49 (0) 6409 - 8115 - 0 | Fax: +49 (0) 6409 - 8115 - 11
info@schmidt-bender.de | www.schmidt-bender.de