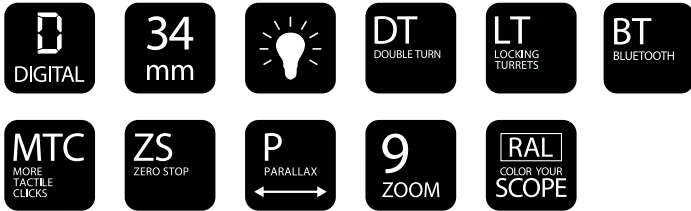


SCHMIDT BENDER

3-27x56 PM II High Power Digital BT

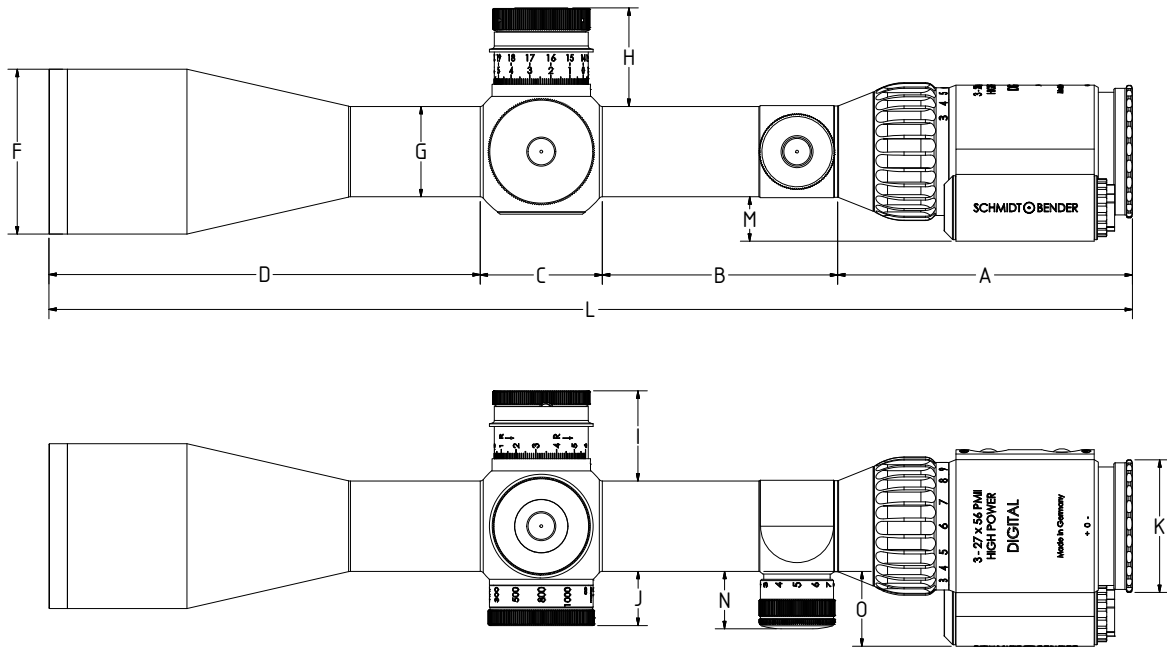


NEW



- A Bluetooth interface allows projection of data from external devices, such as laser range finders, into the field of view
- This significantly increases the probability of first round hits
- The telescopic sight can also be used conventionally without external devices

1. Dimensions & physical properties



	A	B	C	D	F	G	H	I	J	K	L	M	N	O
mm	111,93	87,02	45,96	162,09	62	34	37,1	33,82	20,4	50	407	15,62	22,08	28,2
inch	4,41	3,43	1,81	6,38	2,44	1,34	1,46	1,33	0,80	1,97	16,02	0,62	0,87	1,11

Weight: 1244 g

Length: 407 mm

Main tube diameter: 34 mm

2. Optical Data[⊛]

Magnification: 3.0 - 27.0

Objective diameter: 56 mm

Field of view: 13.0 m - 1.4 m / 100 m

Exit pupil: 8.7 mm - 2.1 mm

Eye relief: 90 mm

Twilight factor: 13.0 - 38.9

Transmission: 90 %

Focal plane: 1.

3. Adjustments[⊛]

Diopter: -2 dpt. to +3 dpt.

Adjustment range elevation turret: 260 cm / 64 MOA

Adjustment range windage turret: ± 60 cm / ± 14 MOA

Parallax: 10 m - ∞

4. Environmental properties^{*}

Waterproof:	300 mbar (3 m)
Temperature range:	
Storage:	-55° C to +70° C
Function:	-40° C to +60° C

5. Available configurations^{*}

a.) Turrets:

Elevation: Double turn with MTC and locking function

Windage: Single turn with zero stop and locking function

Turret configurations

Elevation	Windage
1 cm cw	1 cm cw
1 cm ccw	1 cm ccw
¼ MOA cw	¼ MOA cw
¼ MOA ccw	¼ MOA ccw

b.) Colors:

- Black
- Pantone 7504M
- RAL 8000

c.) Illumination

- Illuminated

d.) Reticles

- P4LF • H2CMR • Termor 2 • H37 • H59
- Other reticles available on request!

More configurations on request!

SCHMIDT BENDER

Schmidt & Bender GmbH & Co. KG

Am Grossacker 42 | D - 35444 Biebertal, Germany
Phone: +49 (0) 6409 - 8115 - 0 | Fax: +49 (0) 6409 - 8115 - 11
info@schmidt-bender.de | www.schmidt-bender.de