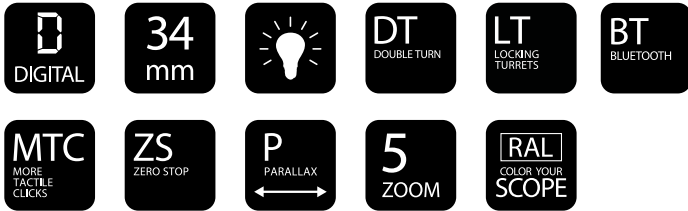


# SCHMIDT BENDER

## 5-25x56 PM II Digital BT

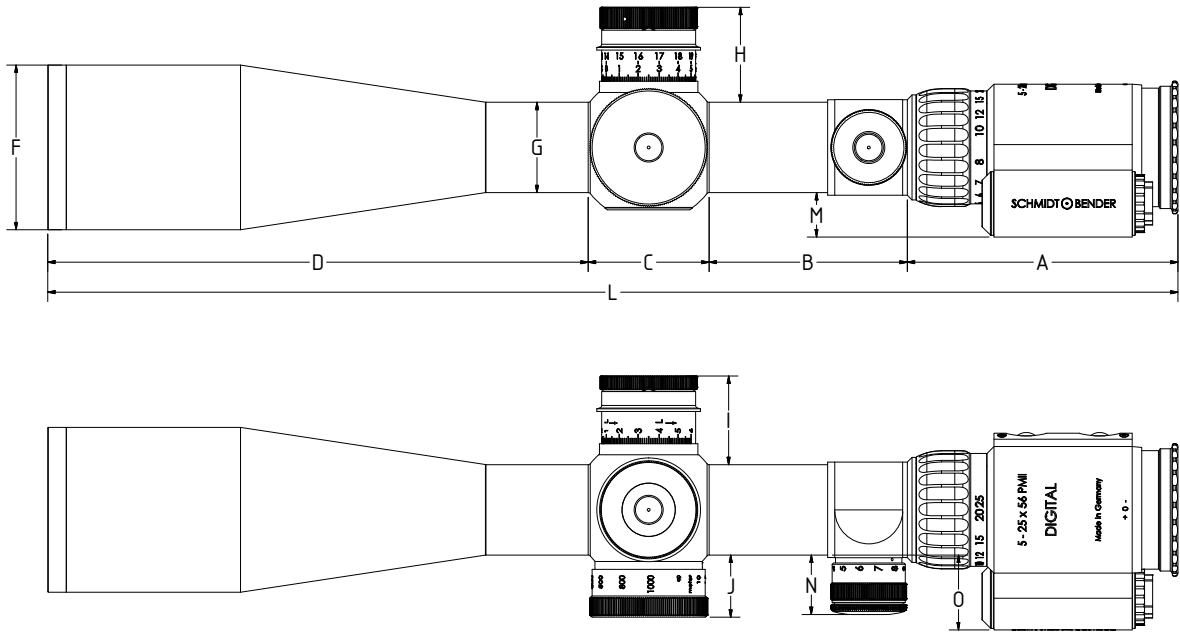


**NEW**



- A Bluetooth interface allows projection of data from external devices, such as laser range finders, into the field of view
- This significantly increases the probability of first round hits
- The telescopic sight can also be used conventionally without external devices

# 1. Dimensions & physical properties



	A	B	C	D	F	G	H	I	J	K	L	M	N	O
mm	103,55	73,61	45,48	202,36	62	34	36,6	24,1	23,6	50	425	14,80	20,10	28,2
inch	4,08	2,90	1,79	8,01	2,44	1,34	1,44	0,95	0,93	1,97	16,73	0,58	0,79	1,11

Weight: 39.82 oz  
 Length: 16.42"  
 Main tube diameter: 34 mm

## 2. Optical Data<sup>\*\*</sup>

Magnification: 5.0 - 25.0  
 Objective diameter: 56 mm  
 Field of view: 15.90 ft - 4.50 ft / 100 yd  
 Exit pupil: 0.43" - 0.09"  
 Eye relief: 3.54"  
 Twilight factor: 16.7 - 37.4  
 Transmission: 90 %  
 Focal plane: 1<sup>st</sup>

## 3. Adjustments<sup>\*\*</sup>

Diopter: -2 dpt. to +3 dpt.  
 Adjustment range elevation turret: 260 cm / 64 MOA  
 Adjustment range windage turret: ± 60 cm / ± 14 MOA  
 Parallax: 10.94 yd - ∞

#### 4. Environmental properties<sup>\*</sup>

Waterproof:	9.84 ft
Temperature range:	
Storage:	-67° F to +158° F
Function:	-40° F to +140° F

#### 5. Available configurations<sup>\*</sup>

a.) Turrets:

Elevation: Double turn with MTC and locking function

Windage: Single turn with zero stop and locking function

Turret configurations

Elevation	Windage
1 cm cw	1 cm cw
1 cm ccw	1 cm ccw
¼ MOA cw	¼ MOA cw
¼ MOA ccw	¼ MOA ccw

b.) Colors:

- Black
- Pantone 7504M
- RAL 8000

c.) Illumination

- Illuminated

d.) Reticles

- Tremor2 • H58 • H59 • MSR • POLICE • P3L • H2CMR • H37 • P4L • Klein • P4LF
- Other reticles available on request!

**More configurations on request!**

# SCHMIDT BENDER

**Schmidt & Bender GmbH & Co. KG**

Am Grossacker 42 | D - 35444 Biebertal, Germany  
Phone: +49 (0) 6409 - 8115 - 0 | Fax: +49 (0) 6409 - 8115 - 11  
info@schmidt-bender.de | www.schmidt-bender.de