

SCHMIDT  BENDER
GmbH & Co. KG
Am Grossacker 42
D-35444 Biebertal - Germany
tel. +49(0)6409/ 8115-0
fax. +49(0)6409/ 8115-11

reticle - data sheet
L9

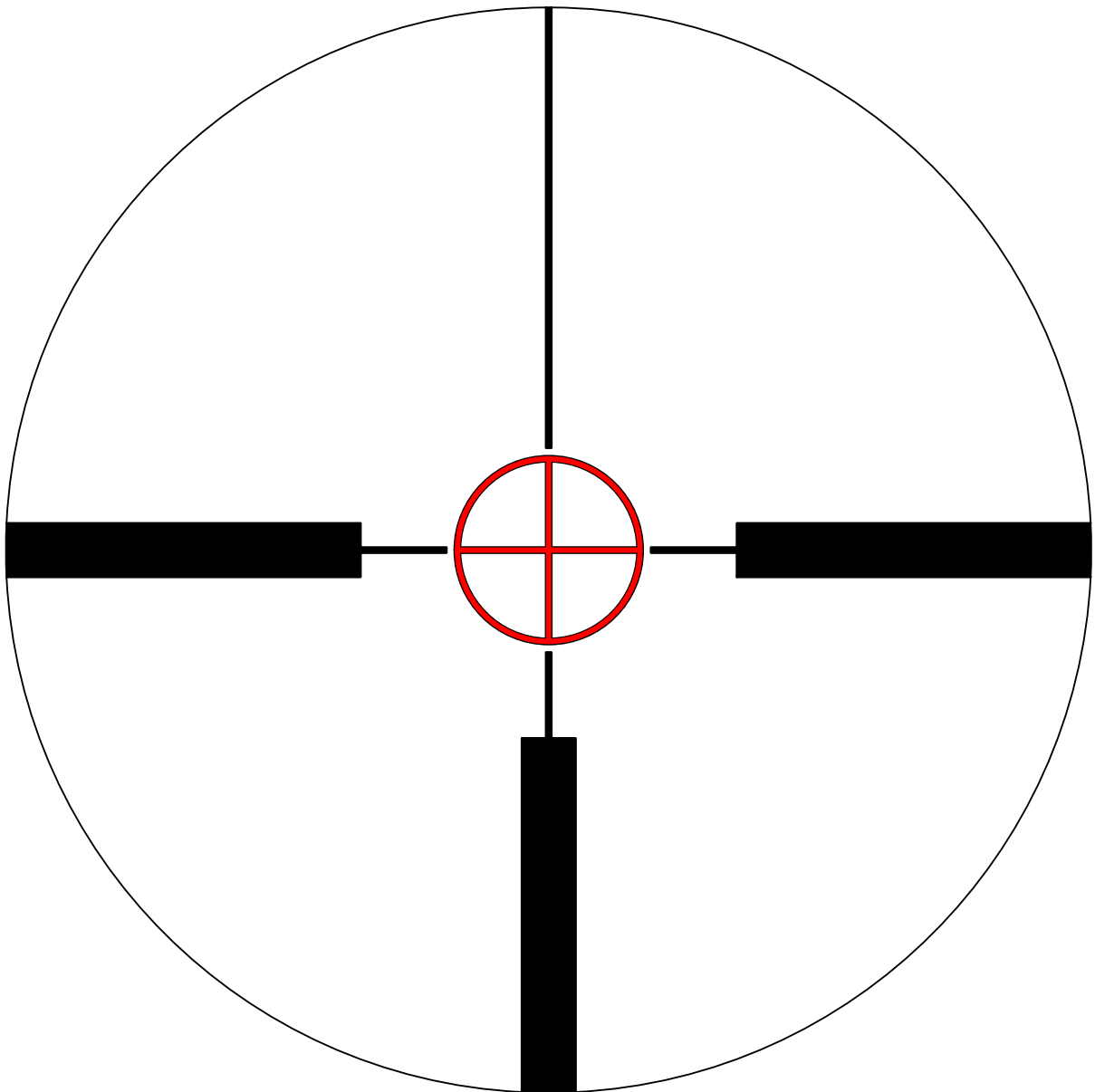
page 1 of 3

revision 00

scope	3-12x50 Klassik	scope type	44	focal plane	FFP
model	Schmidt-Bender-Datasheet-L9-FFP-3-12x50 Klassik				

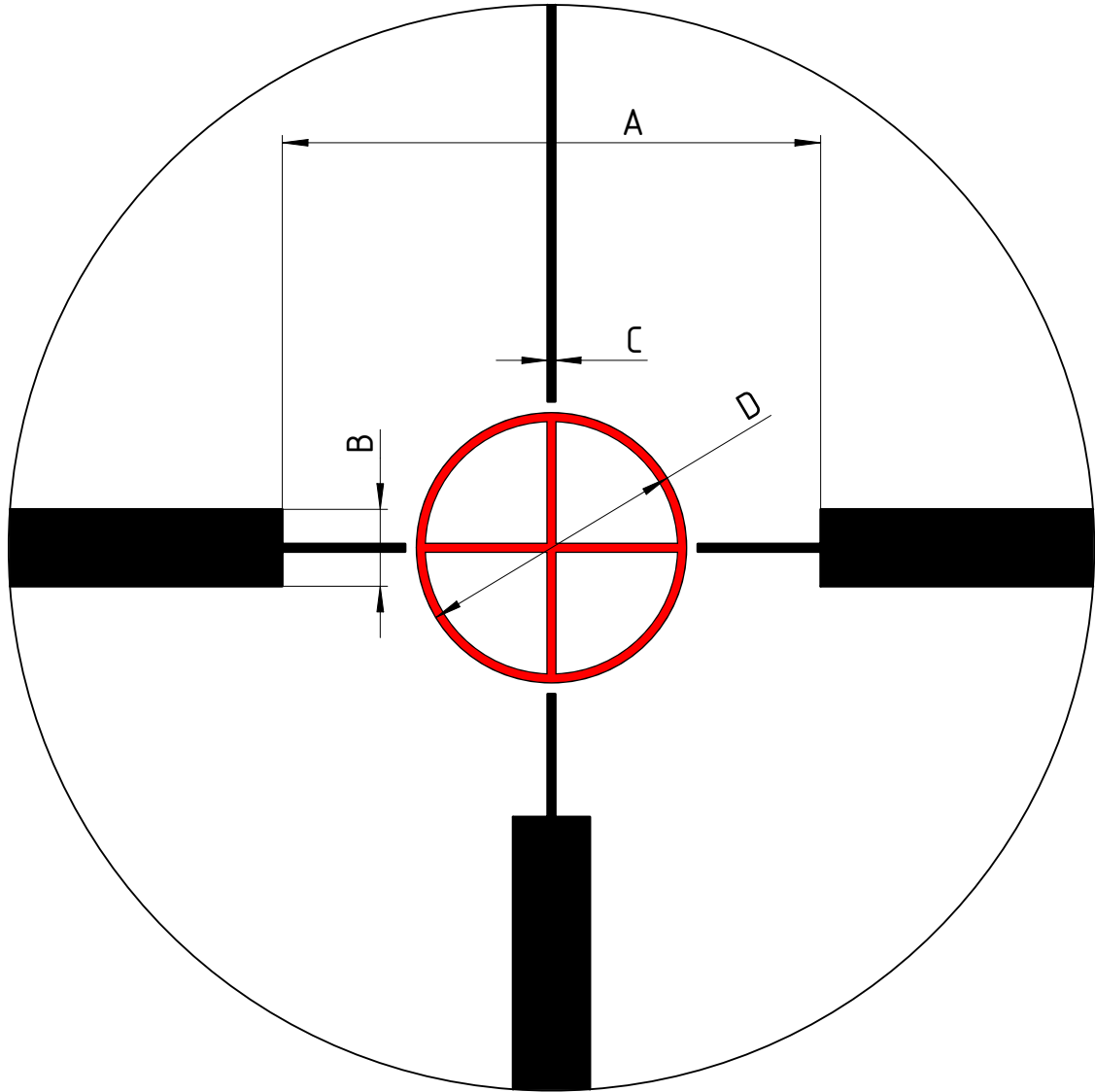
All rights reserved by Schmidt & Bender GmbH & Co. KG. No reproduction, distribution or unauthorized use of this document or any information contained herein may be made without the expressed written permission of Schmidt & Bender GmbH & Co. KG or its assignees.

L9



scope	3-12x50 Klassik	scope type	44	focal plane	FFP
model	Schmidt-Bender-Datasheet-L9-FFP-3-12x50 Klassik				

All rights reserved by Schmidt & Bender GmbH & Co. KG. No reproduction, distribution or unauthorized use of this document or any information contained herein may be made without the expressed written permission of Schmidt & Bender GmbH & Co. KG or its assignees.



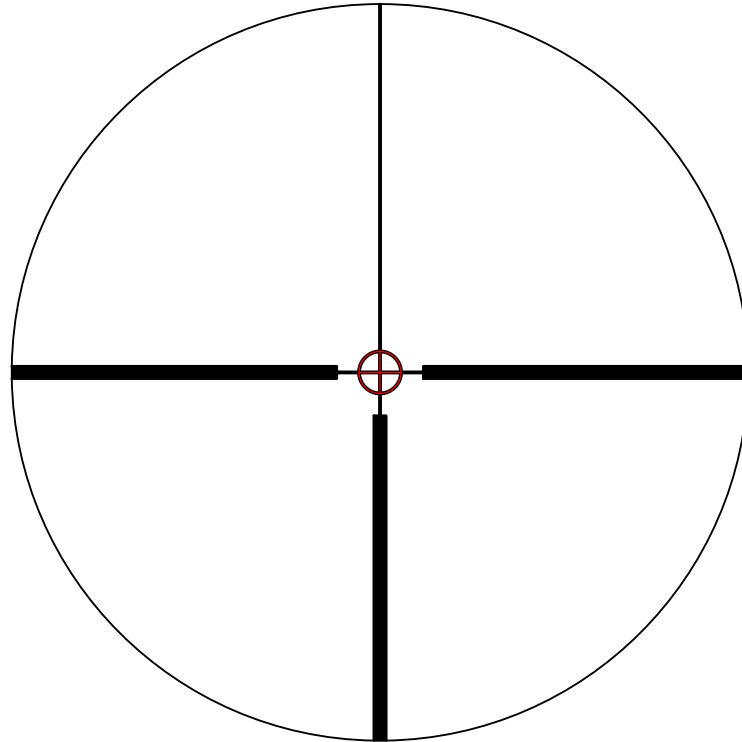
coverages

unit	A	B	C	D
cm/100m	140	20	2	70
in/100yd	50.67	7.24	0.72	25.32
mrad	14.08	2.01	0.2	7.03

scope	3-12x50 Klassik	scope type	44	focal plane	FFP
model	Schmidt-Bender-Datasheet-L9-FFP-3-12x50 Klassik				

All rights reserved by Schmidt & Bender GmbH & Co. KG. No reproduction, distribution or unauthorized use of this document or any information contained herein may be made without the expressed written permission of Schmidt & Bender GmbH & Co. KG or its assignees.

field of view at lowest magnification



field of view at highest magnification

