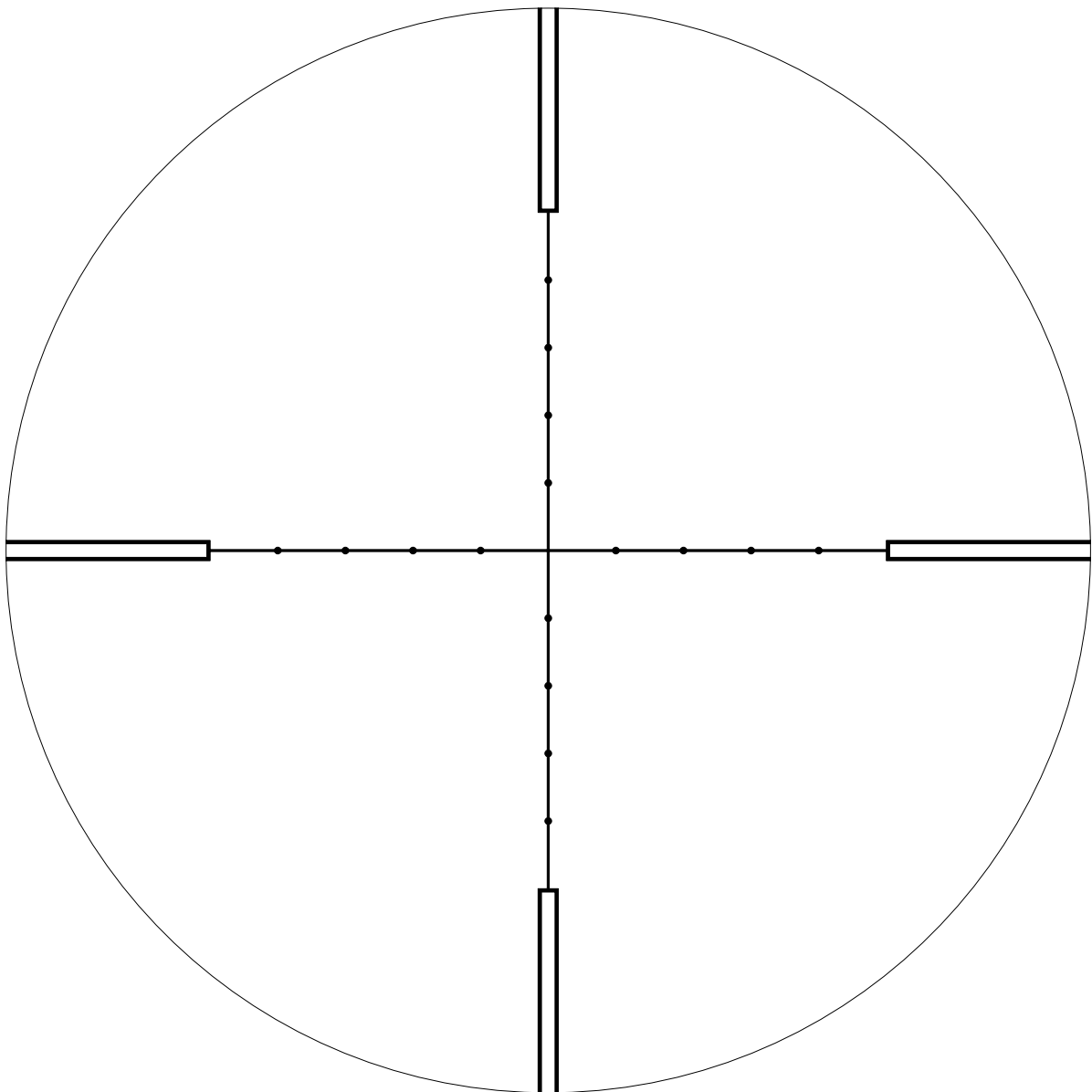


scope	12 - 50 x 56 PMII	scope type	78	focal plane	SFP
model	Schmidt-Bender-Datasheet-P3-SFP-12-50x56 PMII				

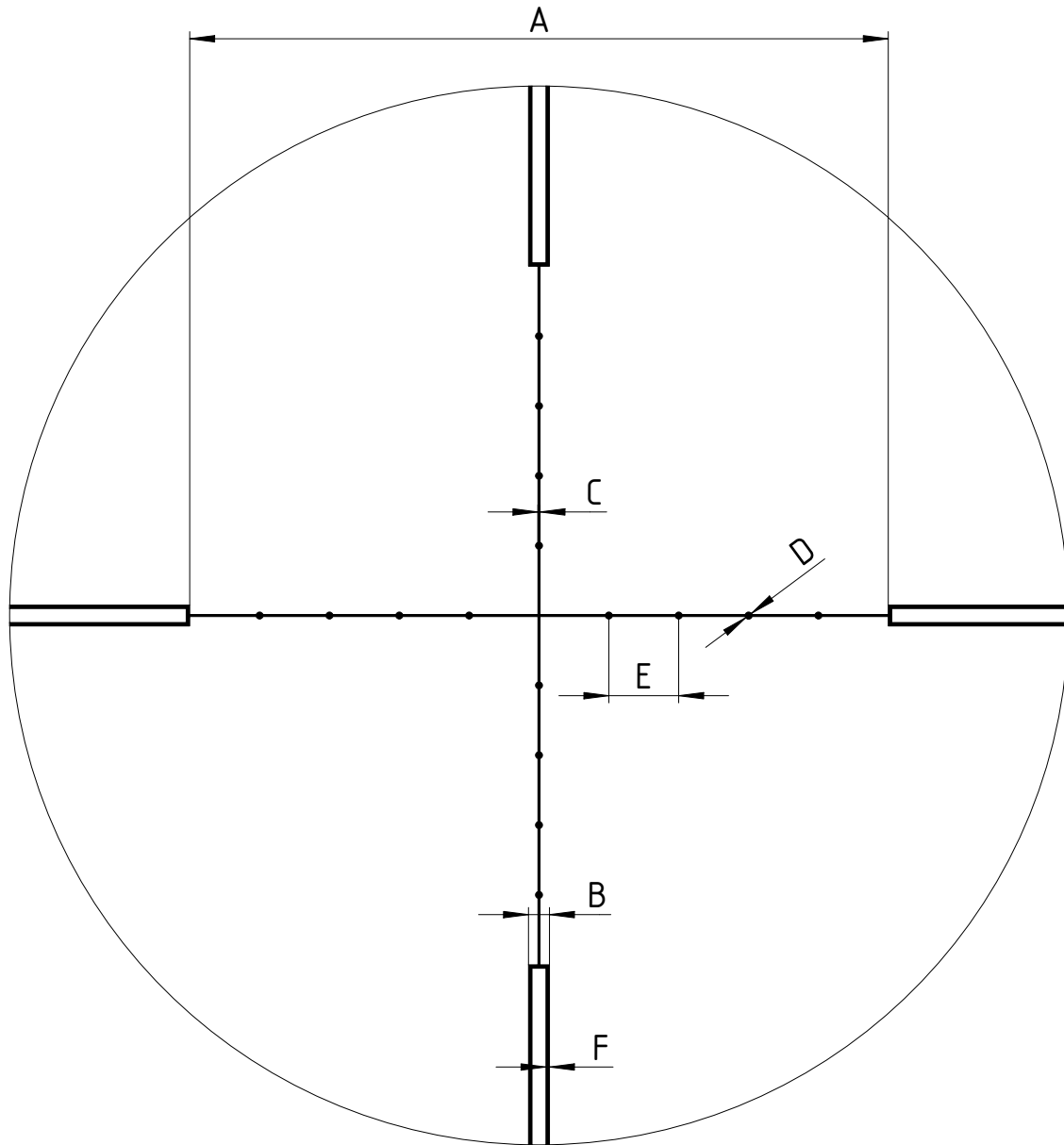
All rights reserved by Schmidt & Bender GmbH & Co. KG. No reproduction, distribution or unauthorized use of this document or any information contained herein may be made without the expressed written permission of Schmidt & Bender GmbH & Co. KG or its assignees.

P3



scope	12 - 50 x 56 PMII	scope type	78	focal plane	SFP
model	Schmidt-Bender-Datasheet-P3-SFP-12-50x56 PMII				

All rights reserved by Schmidt & Bender GmbH & Co. KG. No reproduction, distribution or unauthorized use of this document or any information contained herein may be made without the expressed written permission of Schmidt & Bender GmbH & Co. KG or its assignees.



coverages

unit	A	B	C	D	E	F	magnif.
cm/100m	50	1.5	0.15	0.5	5	0.25	50x
in/100yd	18	0.5	0.05	0.2	1.8	0.09	50x
mrad	5	0.15	0.01	0.05	0.5	0.02	50x
cm/100m	100	3	0.3	1	10	0.5	25x
in/100yd	36	1.08	0.11	0.36	3.6	0.18	25x
mrad	10	0.3	0.03	0.1	1	0.05	25x
cm/100m	208	6.25	0.62	2.08	20.8	1.04	12x
in/100yd	75	2.25	0.22	0.75	7.5	0.37	12x
mrad	21	0.62	0.06	0.21	2.1	0.1	12x

scope	12 - 50 x 56 PMII	scope type	78	focal plane	SFP
model	Schmidt-Bender-Datasheet-P3-SFP-12-50x56 PMII				

All rights reserved by Schmidt & Bender GmbH & Co. KG. No reproduction, distribution or unauthorized use of this document or any information contained herein may be made without the expressed written permission of Schmidt & Bender GmbH & Co. KG or its assignees.

field of view at all magnification

