

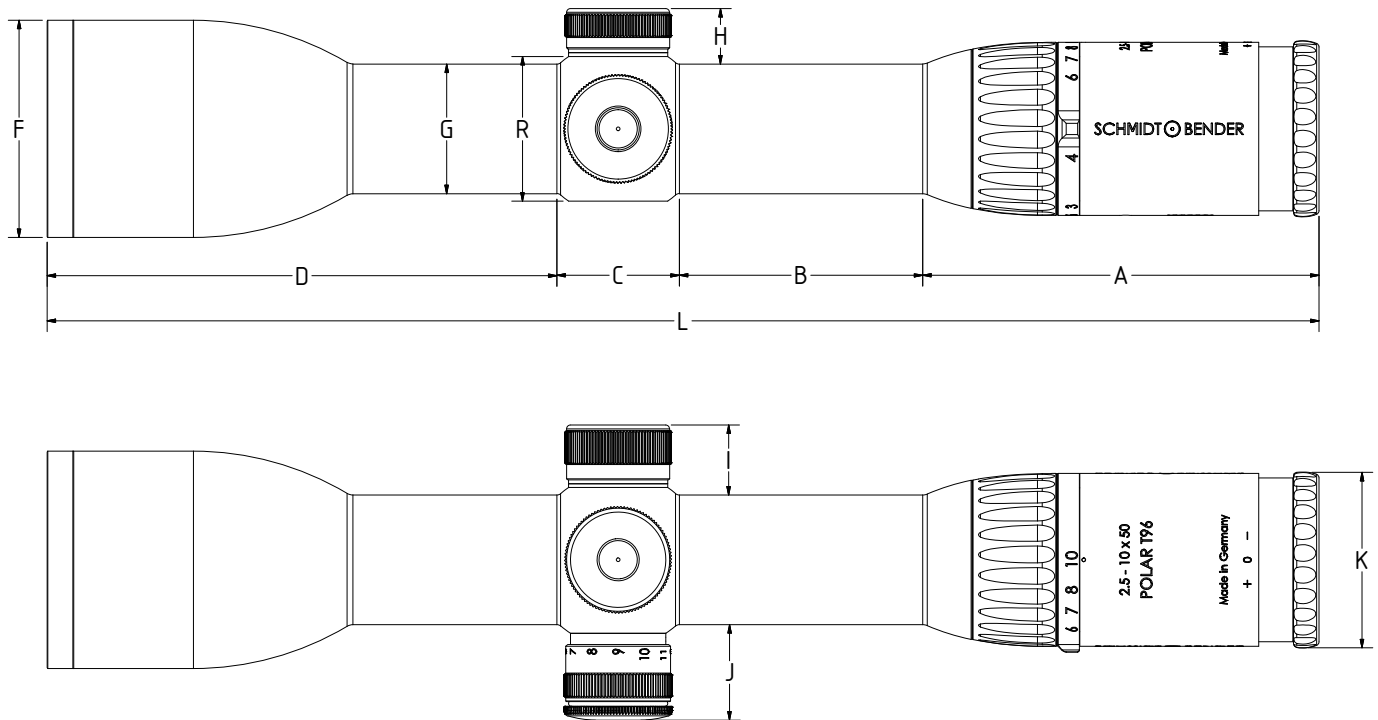
SCHMIDT BENDER

2.5-10x50 Polar T96



- Extremely high transmission of more than 96 %
- Reticles in the first or second image plane for sport or hunting
- Optional bullet drop compensation provides maximum freedom of shooting distance and calibre choice

1. Dimensions & physical properties



	A	B	C	D	F	G	H	I	J	K	L	R
mm	105,23	63,86	32,12	133,78	57,0	34	14,57	18,37	25,06	4,603	335	37,9
inch	4,14	2,51	1,27	5,27	2,24	1,34	0,57	0,72	0,99	1,81	13,19	1,49

Weight: 650 g

Length: 335 mm

Main tube diameter: 34 mm

2. Optical Data*

Magnification: 2.5 - 10.0

Objective diameter: 50 mm

Field of view: 15.0 m - 3.70 m / 100 m

Exit pupil: 12.0 mm - 5.0 mm

Eye relief: 90 mm

Twilight factor: 11.2 - 22.4

Transmission: 96 %

Focal plane: 1. o. 2.

3. Adjustments*

Diopter: -2 dpt. to +3 dpt.

Adjustment range elevation turret: 100 cm / 25 MOA

Adjustment range windage turret: ± 50 cm / ± 12 MOA

Parallax: 100 m fix

4. Environmental properties^{*}

Waterproof:	3 m
Temperature range:	
Storage:	-55° C to +70° C
Function:	-25° C to +55° C

5. Available configurations^{*}

a.) Turrets:

Elevation: Posicon or Bullet Drop Compensation

Windage: Posicon or Bullet Drop Compensation

Turret configurations

Elevation	Windage
1 cm cw	1 cm cw
1 cm ccw	1 cm ccw
¼ MOA cw	¼ MOA cw
¼ MOA ccw	¼ MOA ccw

b.) Colors:

- Black

c.) Illumination

Illuminated

d.) Rail

- LMC (Light metal with convex rail) • LMZ (Light metal with z-rail)

e.) Reticles

- L7 • L4 (1.BE) • D7 • D4 (2.BE)

More configurations on request!

No scope has ever reached the low light performance of this unique scope!



With a Polar T96 scope



With a common scope

But what have we done to make this happen?

We have optimized the wavelength depending transmission to suit the human eye sensitivity under low light conditions:



	2.5-10x50 Polar T96	Competitor 2.5-10x50 HT	Difference
Maximal Transmission	96.37%	93.90%	2.47%
Day Transmission	94.38%	92.80%	1.58%
Night Transmission	93.53%	91.40%	2.13%

In total a difference of more than 2 % effective light transmission in low light ambience is achieved.

SCHMIDT BENDER

Schmidt & Bender GmbH & Co. KG

Am Grossacker 42 | D - 35444 Biebertal, Germany

Phone: +49 (0) 6409 - 8115 - 0 | Fax: +49 (0) 6409 - 8115 - 11

info@schmidt-bender.de | www.schmidt-bender.de