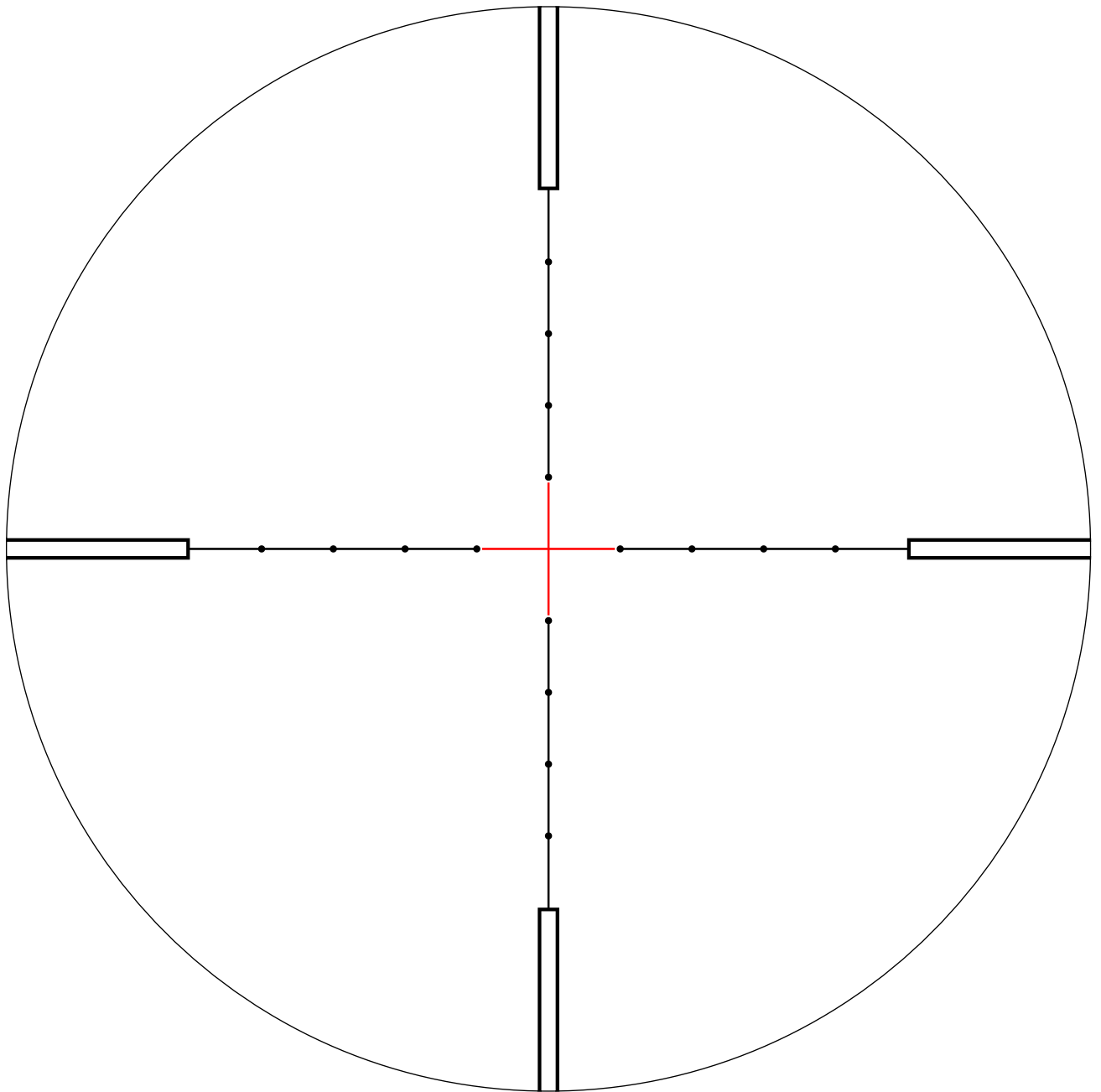


scope	5 - 25 x 56 PMII	scope type	77	focal plane	SFP
model	Schmidt-Bender-Datasheet-P3L-SFP-5-25x56 PMII				

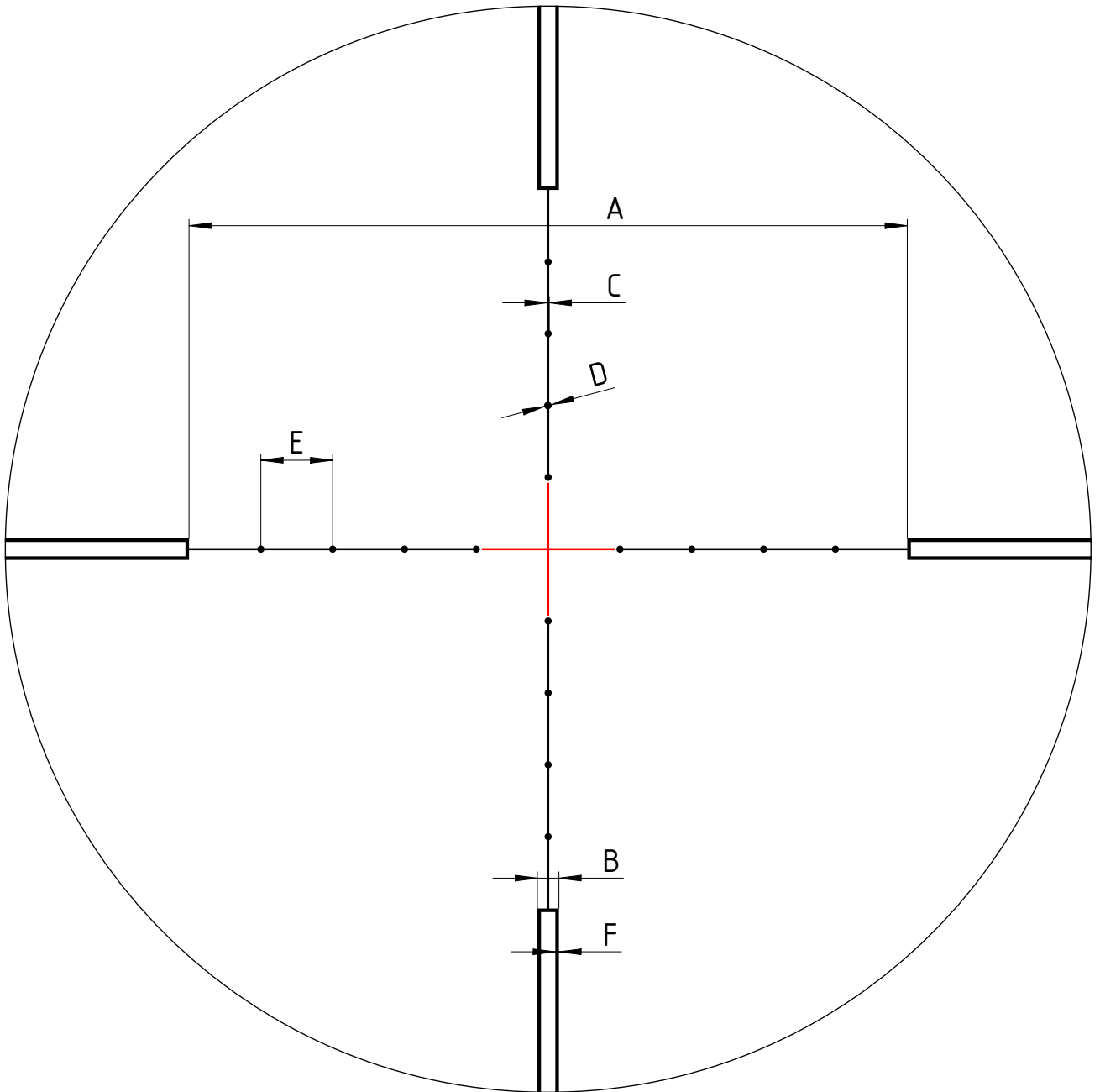
All rights reserved by Schmidt & Bender GmbH & Co. KG. No reproduction, distribution or unauthorized use of this document or any information contained herein may be made without the expressed written permission of Schmidt & Bender GmbH & Co. KG or its assignees.

P3L



scope	5 - 25 x 56 PMII	scope type	77	focal plane	SFP
model	Schmidt-Bender-Datasheet-P3L-SFP-5-25x56 PMII				

All rights reserved by Schmidt & Bender GmbH & Co. KG. No reproduction, distribution or unauthorized use of this document or any information contained herein may be made without the expressed written permission of Schmidt & Bender GmbH & Co. KG or its assignees.



coverages

unit	A	B	C	D	E	F	magnif.
cm/100m	98.3	2.9	0.3	1	9.8	0.5	25x
in/100yd	35.4	1.1	0.11	0.4	3.5	0.2	25x
mrad	9.8	0.3	0.03	0.1	1	0.1	25x
cm/100m	196.6	5.9	0.59	2	19.7	1	12.5x
in/100yd	70.8	2.1	0.21	0.7	7.1	0.4	12.5x
mrad	19.7	0.6	0.06	0.2	2	0.1	12.5x
cm/100m	491.5	14.7	1.47	4.9	49.2	2.5	5x
in/100yd	176.9	5.3	0.53	1.8	17.7	0.9	5x
mrad	49.2	1.5	0.15	0.5	4.9	0.3	5x

scope	5 - 25 x 56 PMII	scope type	77	focal plane	SFP
model	Schmidt-Bender-Datasheet-P3L-SFP-5-25x56 PMII				

All rights reserved by Schmidt & Bender GmbH & Co. KG. No reproduction, distribution or unauthorized use of this document or any information contained herein may be made without the expressed written permission of Schmidt & Bender GmbH & Co. KG or its assignees.

## field of view at all magnification

